

Installation Specifications

Rear Maxle™ Lite



Developed at the request of bicycle manufacturers world wide, the Rear Maxle Lite offers all the benefits of speed and simplicity in a 12x135 mm, 12x142 mm, or 12x150 mm compatible rear system.

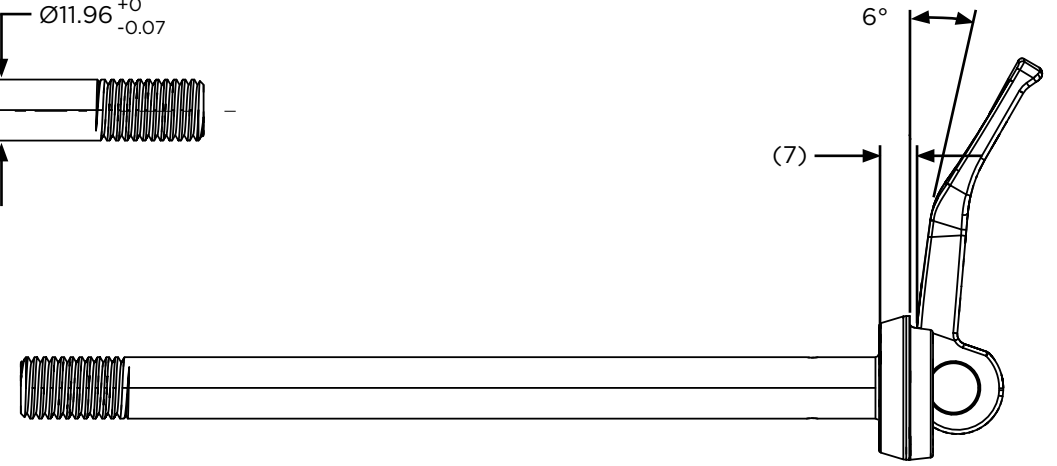
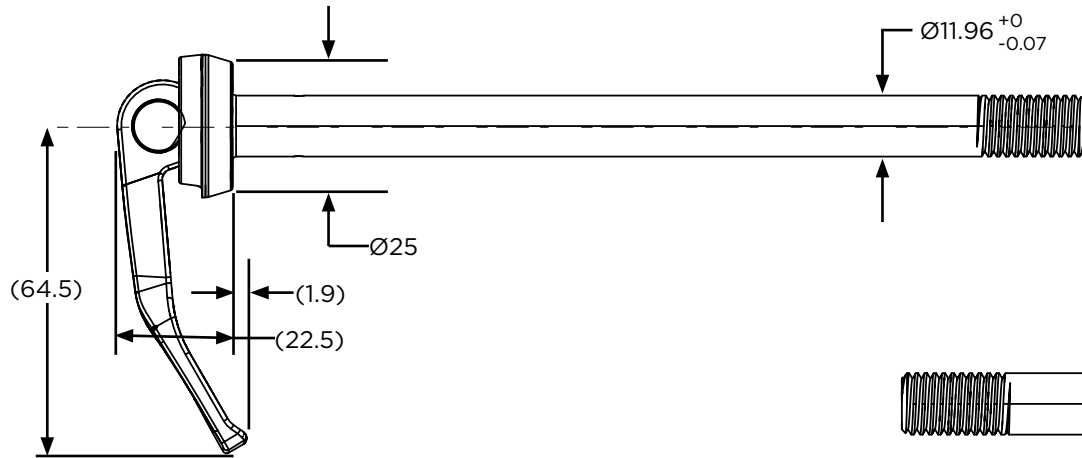
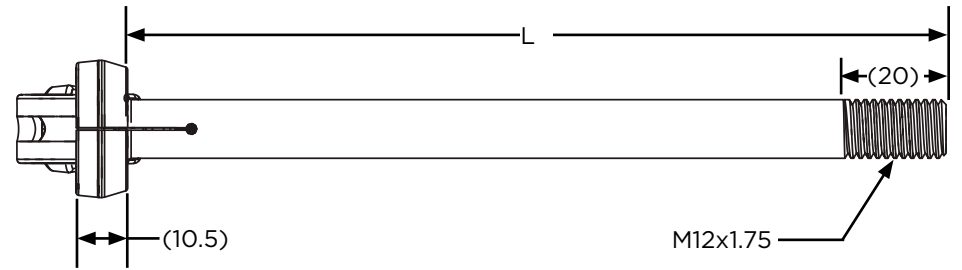
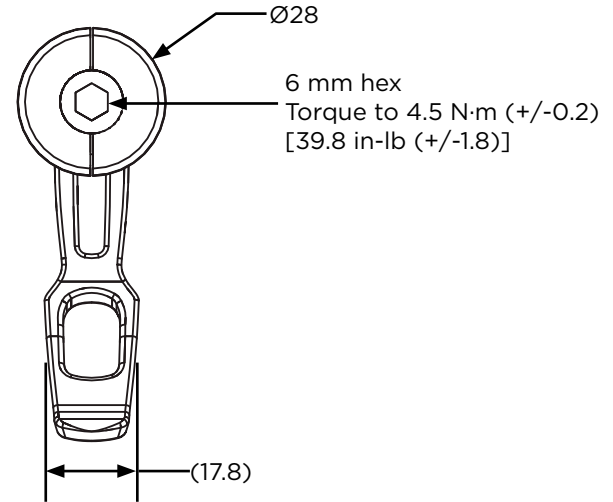
The Rear Maxle Lite is more robust than ever. It features the Maxle 360 design, which allows you to put it where you want it! It also has a constant outer diameter for ease of wheel installation.



Rear Maxle™ Lite Specifications*

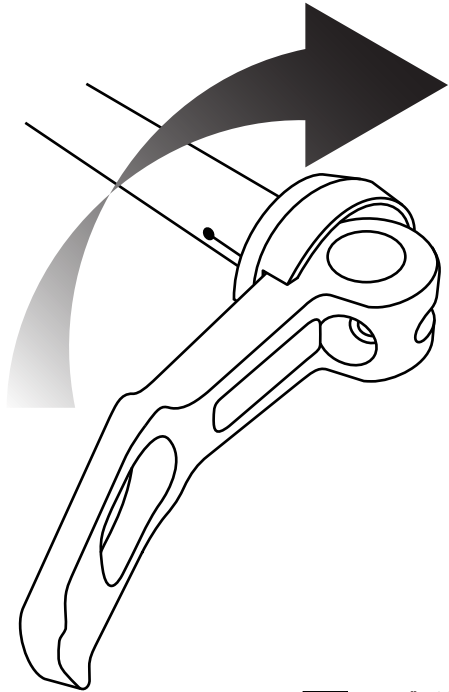
Rear Maxle Lite Model	L (mm)
Rear Maxle Lite, 135x12 mm	167 mm
Rear Maxle Lite, 142x12 mm	174 mm
Rear Maxle Lite, 150x12 mm	182 mm

*Drawings not to scale, all dimensions in millimeters unless otherwise stated



Rear Maxle™ Lite Specifications

3



1

Install the wheel into the frame.

2

Place the Maxle Lite quick release lever into the open position. Slide the Maxle Lite through the hub until it contacts the threads on the frame.

3

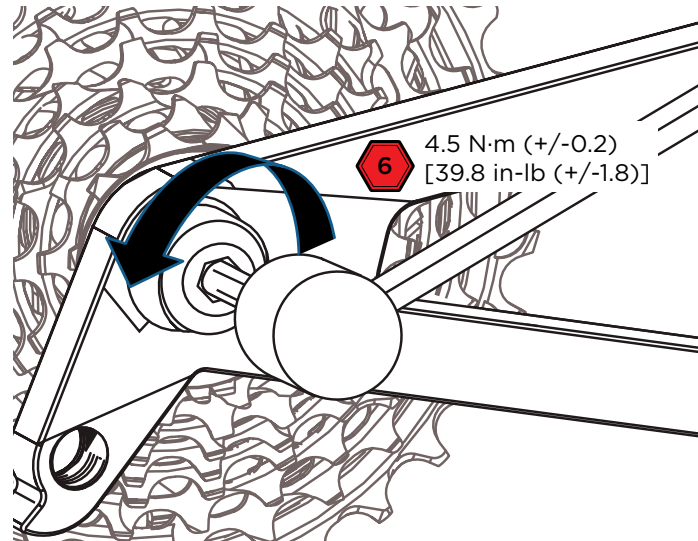
Engage the quick release lever in the axle flange then turn the axle clockwise to carefully *hand tighten* the Maxle Lite into the frame.

Notice: hand tighten only in this step, do not attempt to torque using the quick release lever. The quick release lever can over-torque the axle into the frame and may damage or cause the axle to break.

4

Use a 6 mm hex on the end of the axle to tighten the axle *counter-clockwise* to 4.5 N·m (+/-0.2) [39.8 in-lb (+/-1.8)].

4



www.sram.com