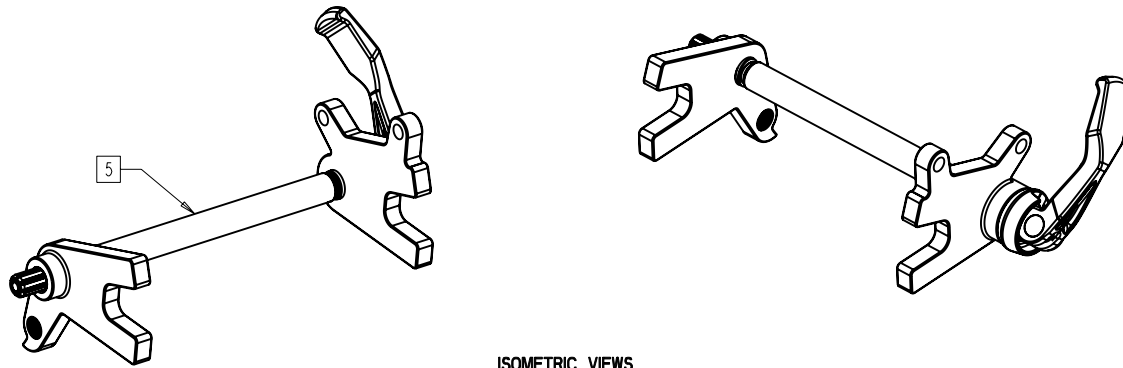


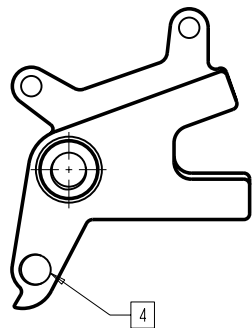
THIS SPECIFICATION IS FOR EXTERNAL FRAME MANUFACTURER REFERENCE ONLY

REV	DATE	CLASS	REVISION RECORD	DR	CK
A	07JAN05	M	ECN 13707 RELEASE FOR MY 06	DG	CM
B	16FEB05	D	ECN 13985 ADD: SURFACE FINISH 1.6 AND -A: TO Ø 12.05, CHANGE: THREAD *M12 X 1.75 - 6G THRU I WAS *M12 X 1.75 - 6H THRU I - 12.05 +0.05/-0.02 WAS 12.03 +0.05/-0.02	DG	MAN

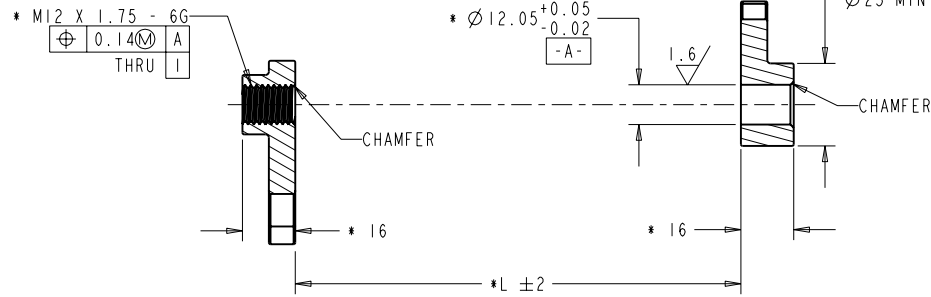


ISOMETRIC VIEWS
WITH AXLE INSTALLED

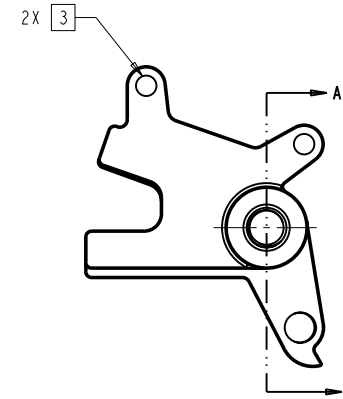
DESCRIPTION	L (MM)
REAR MAXLE, 135 X 12MM	135
REAR MAXLE, 150 X 12MM	150



RIGHT SIDE VIEW



FRONT VIEW (SECTION A-A)



LEFT SIDE VIEW

NOTES (UNLESS OTHERWISE SPECIFIED):

- 1 THREAD FORM PER ANSI B1.13M - 1983 (LATEST REV)
- 2 (*) DENOTES CRITICAL DIMENSION
- 3 REFERENCE IS 2000 DISC BRAKE STANDARD
- 4 REFERENCE SRAM TECHNICAL NEWS
- 5 REFERENCE US4-310507-000: USER SPECIFICATION, REAR MAXLE

	SRAM Corporation Global Headquarters 1333 North Kingsbury Chicago, IL 60622 USA 312-664-8800 SRC, REV B	GEOMETRIC DIMENSIONING AND TOLERANCING TO BE INTERPRETED PER ANSI Y14.5M 1994 DO NOT SCALE DRAWING	ALL DIMENSIONS ARE mm UNSPECIFIED XX ±0.5 TOLERANCE XX.X ±0.1 ANGLES		TOOL FINISH N/A	MATERIAL N/A	TITLE SPECIFICATION, FRAME DESIGN, REAR MAXLE
	CONFIDENTIAL - THIS DRAWING CONTAINS INFORMATION THAT IS PROPRIETARY TO SRAM CORPORATION AND MAY NOT BE DISCLOSED WITHOUT PERMISSION.	DRAWN BY D GILBERT	APPROVAL C. MICKELSON	SCALE 1:0	DATE 07JAN05	DRAWING NUMBER ES4-310498-000	REV B