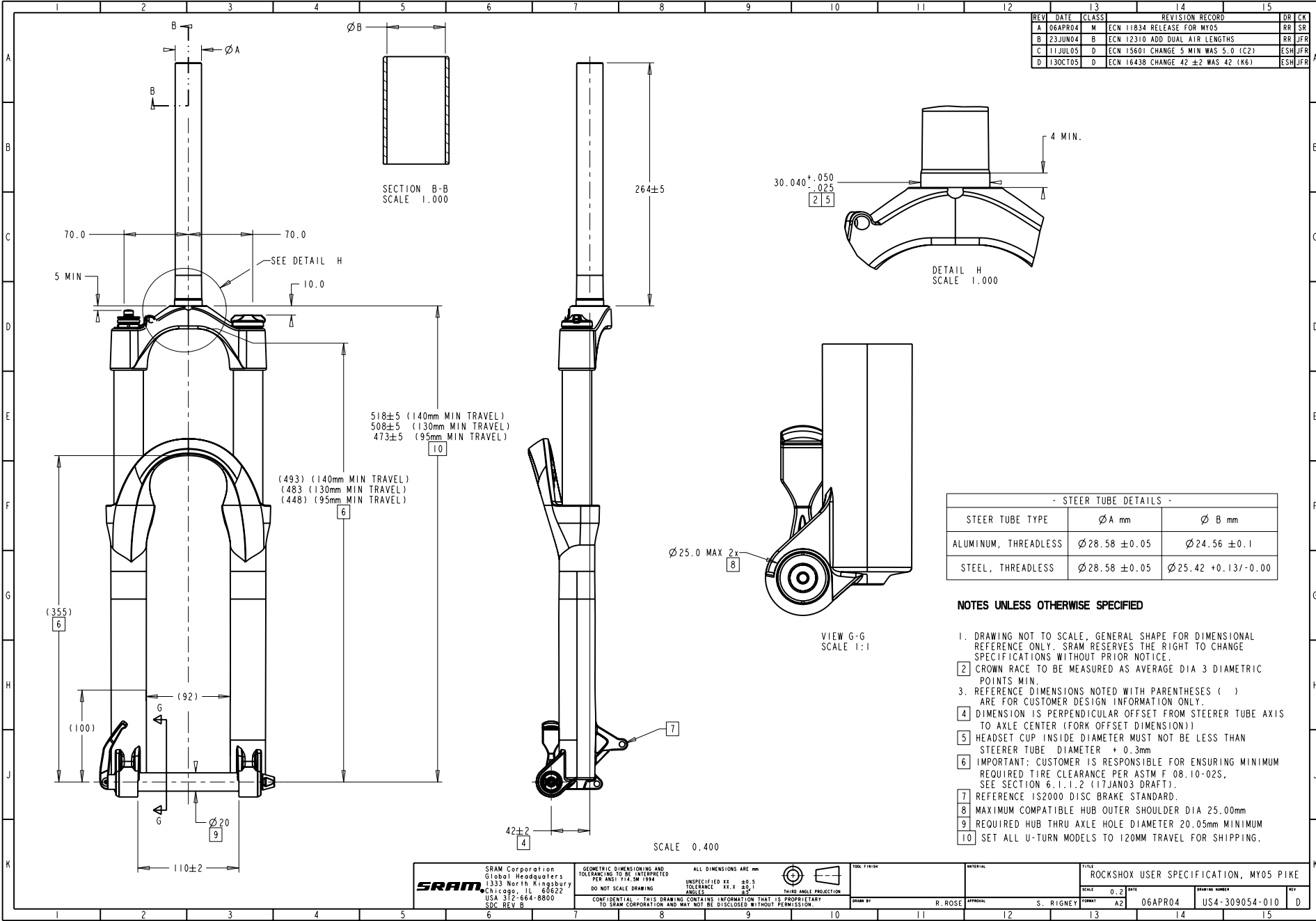


REV	DATE	CLASS	REVISION RECORD	DR	CK
A	06APR04	M	ECN 11834 RELEASE FOR MY05	RR	JFR
B	23JUN04	B	ECN 12310 ADD DUAL AIR LENGTHS	RR	JFR
C	11JUL05	D	ECN 15601 CHANGE 5 MIN WAS 5.0 (C2)	ESH	JFR
D	13OCT05	D	ECN 16438 CHANGE 42 ±2 WAS 42 (R6)	ESH	JFR



518±5 (140mm MIN TRAVEL)
 508±5 (130mm MIN TRAVEL)
 473±5 (95mm MIN TRAVEL)

(493) (140mm MIN TRAVEL)
 (483) (130mm MIN TRAVEL)
 (448) (95mm MIN TRAVEL)

- STEER TUBE DETAILS -

STEER TUBE TYPE	Ø A mm	Ø B mm
ALUMINUM, THREADLESS	Ø28.58 ±0.05	Ø24.56 ±0.1
STEEL, THREADLESS	Ø28.58 ±0.05	Ø25.42 +0.13/-0.00

NOTES UNLESS OTHERWISE SPECIFIED

- DRAWING NOT TO SCALE, GENERAL SHAPE FOR DIMENSIONAL REFERENCE ONLY. SRAM RESERVES THE RIGHT TO CHANGE SPECIFICATIONS WITHOUT PRIOR NOTICE.
- CROWN RACE TO BE MEASURED AS AVERAGE DIA 3 DIAMETRIC POINTS MIN.
- REFERENCE DIMENSIONS NOTED WITH PARENTHESES () ARE FOR CUSTOMER DESIGN INFORMATION ONLY.
- DIMENSION IS PERPENDICULAR OFFSET FROM STEERER TUBE AXIS TO AXLE CENTER (FORK OFFSET DIMENSION)
- HEADSET CUP INSIDE DIAMETER MUST NOT BE LESS THAN STEERER TUBE DIAMETER + 0.3mm
- IMPORTANT: CUSTOMER IS RESPONSIBLE FOR ENSURING MINIMUM REQUIRED TIRE CLEARANCE PER ASTM F 08.10-02S, SEE SECTION 6.1.1.2 (17JAN03 DRAFT).
- REFERENCE 1S2000 DISC BRAKE STANDARD.
- MAXIMUM COMPATIBLE HUB OUTER SHOULDER DIA 25.00mm
- REQUIRED HUB THRU AXLE HOLE DIAMETER 20.05mm MINIMUM
- SET ALL U-TURN MODELS TO 120MM TRAVEL FOR SHIPPING.

SRAM SRAM Corporation Global Headquarters 1333 North Kingsbury Chicago, IL 60622 USA 312-664-8800 SDC REV B	GEOMETRIC DIMENSIONING AND TOLERANCING TO BE INTERPRETED PER ANSI Y14.5M 1994 DO NOT SCALE DRAWING UNSPECIFIED XX ±0.5 TOLERANCE XX.X ±0.1 ANGLES CONFIDENTIAL - THIS DRAWING CONTAINS INFORMATION THAT IS PROPRIETARY TO SRAM CORPORATION AND MAY NOT BE DISCLOSED WITHOUT PERMISSION.	ALL DIMENSIONS ARE mm THIRD ANGLE PROJECTION	TOOL FINISH MATERIAL TITLE ROCKSHOX USER SPECIFICATION, MY05 PIKE	SCALE 0.2	DATE 06APR04	DRAWING NUMBER US4-309054-010	REV D
				DRAWN BY R. ROSE	APPROVAL S. RIGNEY		