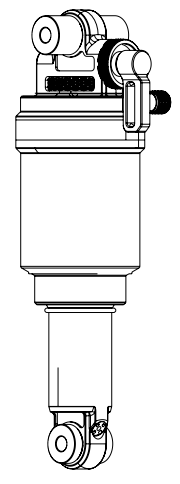
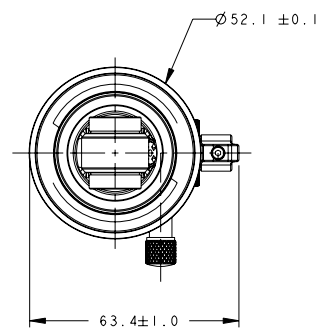
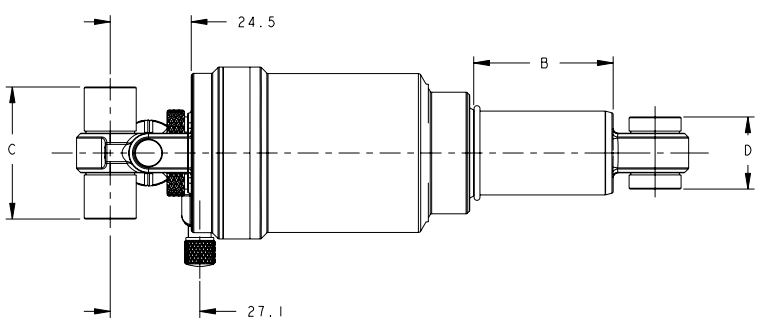
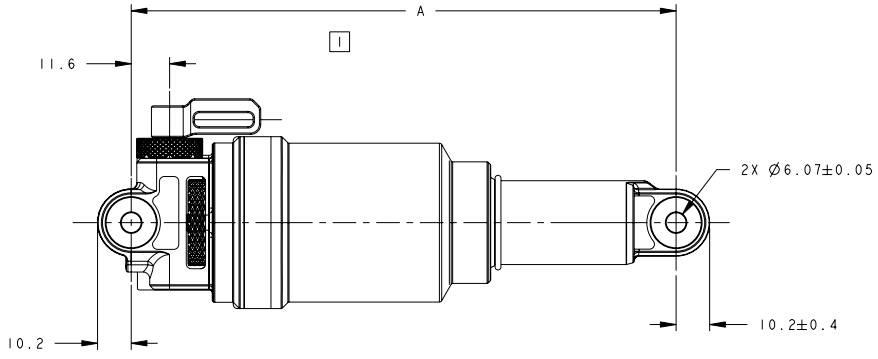


REV	DATE	CLASS	REVISION RECORD	DR	CK
A	14MAY04	M	ECN 12058; RELEASE FOR MY05	ES	BB
B	17JUN04	D	ECN 12178; ADD MOUNT HW; ADD DIM 2X Ø6.07±0.05, ADD DIMS C & D, ADD HARDWARE TABLE	VT	ES



SCALE 0.750

EYE TO EYE x TRAVEL	A ± 3.0	B ± 3.0 (FULLY COMPRESSED)	B ± 3.0 (FULLY EXTENDED)
165mm x 38mm	165.1	2.0	40.1
190mm x 51mm	190.5	2.0	52.8
200mm x 51mm	200.0	11.5	62.3

HARDWARE OPTION	C±0.25	D±0.25
OPTION 1	40.00	21.84
OPTION 2	21.84	21.84

NOTES: (UNLESS OTHERWISE SPECIFIED)

- SHOCK FREE LENGTH MEASURED WITH 100psi POSITIVE AIR PRESSURE.
- SHOCK DIMENSIONS OTHER THAN DEPICTED REQUIRE CUSTOM CONFIGURATION.
- SRAM RESERVES THE RIGHT TO CHANGE SPECIFICATIONS WITHOUT NOTICE.

<p>SRAM Corporation Global Headquarters 1333 North Kingsbury Chicago, IL 60622 USA 312-664-8800 SDC REV B</p>	<p>GEOMETRIC DIMENSIONING AND TOLERANCING TO BE INTERPRETED PER ANSI Y14.5M 1994 DO NOT SCALE DRAWING</p>	<p>ALL DIMENSIONS ARE mm UNSPECIFIED XX ±0.5 TOLERANCE XX.X ±0.1 ANGLES</p>	<p>THIRD ANGLE PROJECTION</p>	<p>TOOL FINISH</p>	<p>MATERIAL</p>	<p>TITLE <b>USER SPECIFICATION, REAR SHOCK, MC3</b></p>			
						<p>CONFIDENTIAL - THIS DRAWING CONTAINS INFORMATION THAT IS PROPRIETARY TO SRAM CORPORATION AND MAY NOT BE DISCLOSED WITHOUT PERMISSION.</p>	<p>SCALE 0.3</p>	<p>DATE 14MAY04</p>	<p>DRAWING NUMBER US4-309561-000</p>
<p>DESIGN BY E. SWAIDNER</p>		<p>APPROVAL B. B/BB</p>		<p>FORMAT A2</p>					