



www.truvativ.com

## Hussefelt and Holzfeller Pedals

### Congratulations!

Thank you for purchasing Truvativ pedals. The following instructions should be read thoroughly before installation. Improper installation of your Truvativ pedals may cause an unexpected failure of the parts that could cause you to lose control of your bicycle resulting in serious injury or death. We recommend having your parts installed by a qualified bicycle technician. Truvativ assumes no responsibility for malfunction or injury due to faulty installation.

### Application Chart

Part	Road	XC	AM	DH
Holzfelder, Hussefelt Pedal				

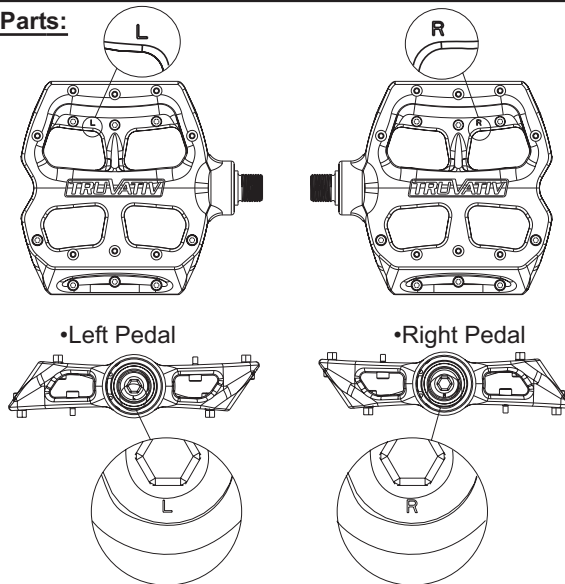
Key:

XC = Crosscountry  
AM = All-Mountain  
DH = Downhill

**DISCLAIMER:** These pedals are for aftermarket sales only. They are designed and sold for competition use only. The pedals do not accept reflectors and should not be used in low light conditions. The user assumes all risk of injury from use without reflectors.

### Parts and Tools

#### Parts:



### Parts and Tools (cont'd)

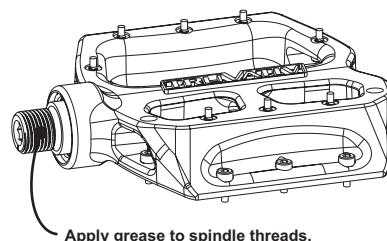
#### Tools:

- 6mm hex key wrench
- 3mm or 2.5mm hex key wrench (for traction pins on Holzfelder pedal only)
- Torque wrench

#### Supplies:

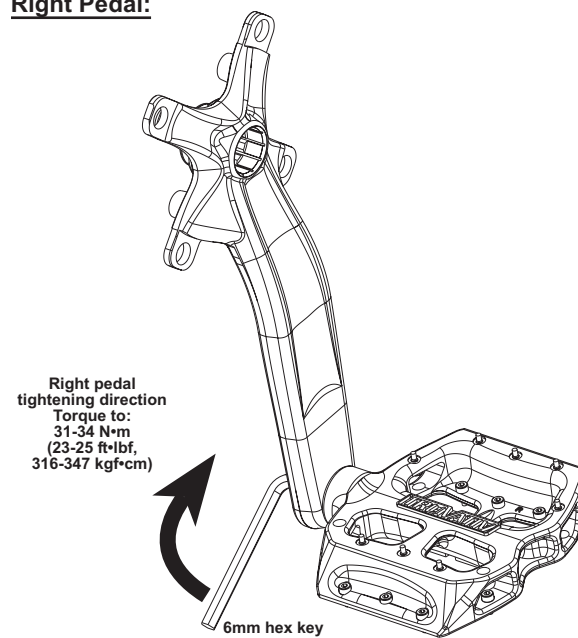
- Medium strength threadlock compound (Loctite™ 242 or equivalent, for traction pin assembly on Holzfelder pedal only.)
- Grease

### Parts Preparation



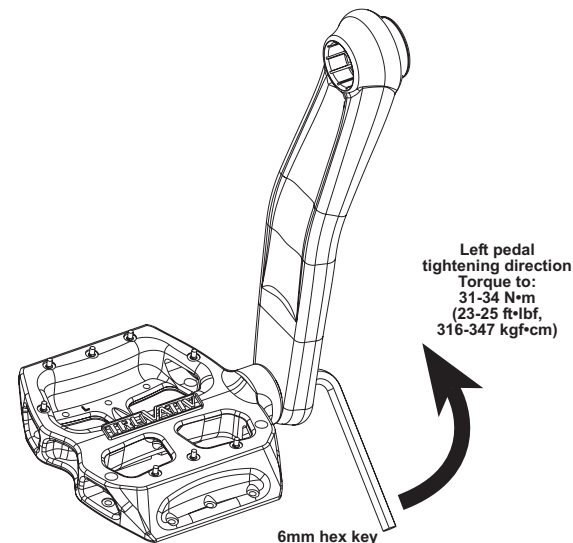
### Assembly

#### Right Pedal:

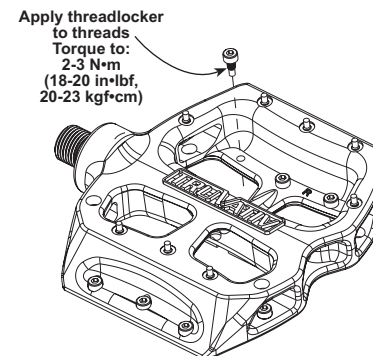


### Assembly (cont'd)

#### Left Pedal:



#### Traction Pins (Holzfeller pedal only):



If the traction pins need to be installed, install them as shown above using a 3mm or 2.5mm hex wrench, depending on the type of traction pins supplied with the pedals. Replacement pins are available from Truvativ. Bolts or set screws available at a local hardware store may also be used. Look for M3x0.5 bolts or set screws. If set screws are used as a replacement, be sure to apply a medium strength thread locking compound such as Loctite™ 242 to the threads and install the set screw from behind as you would with the bolt. This will enable removal of the setscrew if it becomes damaged on the other side. Also make sure that the setscrew is threaded through the entire thickness of the pedal body.

### Warranty

We at Truvativ stand behind our products and our customers. Our Hussefelt and Holzfelder pedals are warranted for one year from the date of purchase against manufacturing defects and workmanship. This warranty is not valid for "abused" or neglected products, or products that are damaged by improper installation or assembly. We define an abused product as one that was subjected to use outside of its design intent. Please pay special attention to the Application Chart shown earlier in this manual to verify you are using the product for its intended purpose.

If you feel you have a warranty claim, would like to learn more about our warranty policy, or have further questions or comments please visit our web site at [www.truvativ.com](http://www.truvativ.com). You may also contact us using the information below:

#### Truvativ USA

Tel [1] (805) 787-0917  
amsales@truvativ.com,  
warranty@truvativ.com

#### Truvativ Germany

Tel [49] 23 02 399-280  
eusales@truvativ.com

#### Truvativ Asia (Taiwan)

Tel [886] (42) 496 5899  
taiwansales@truvativ.com